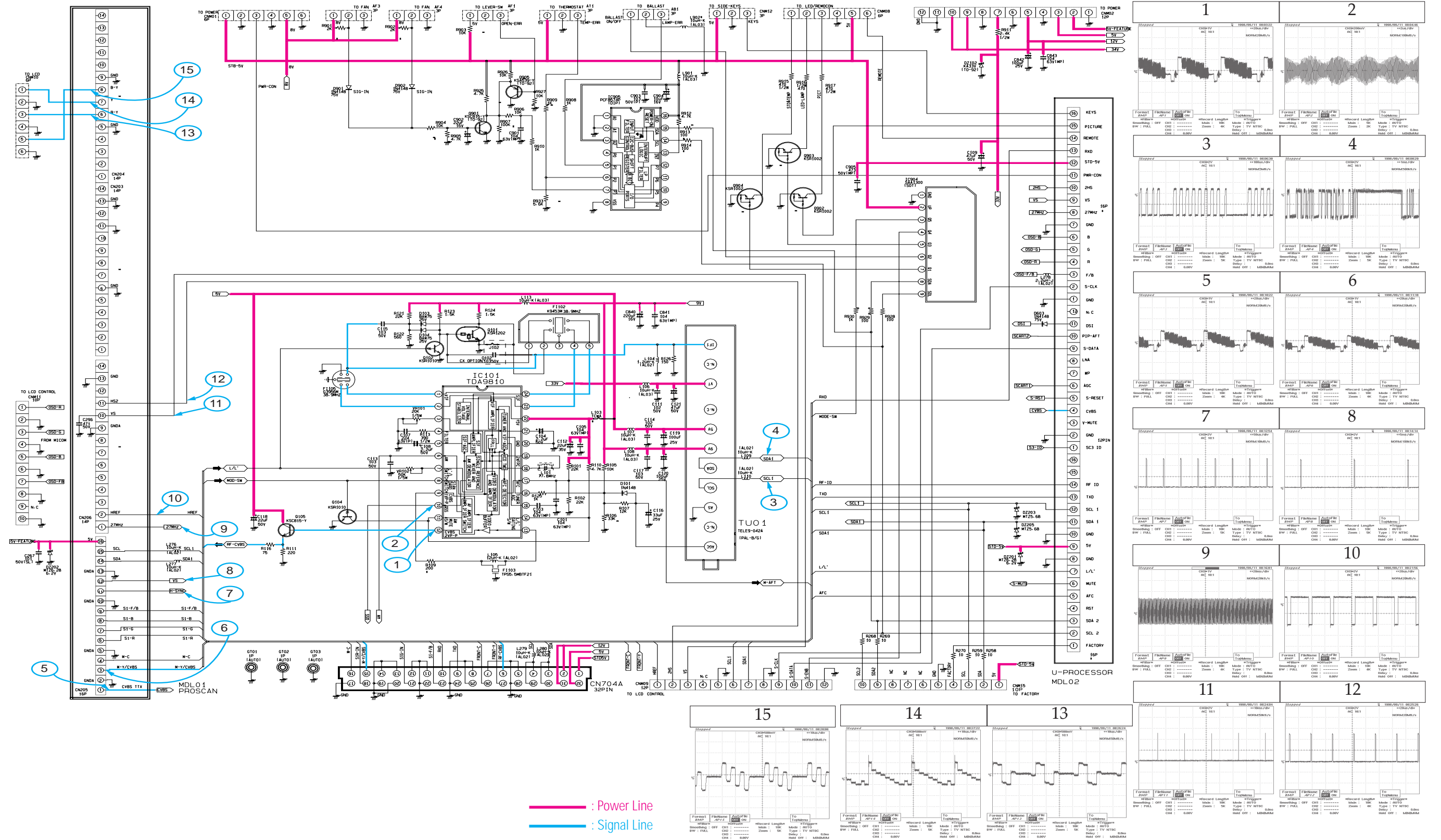
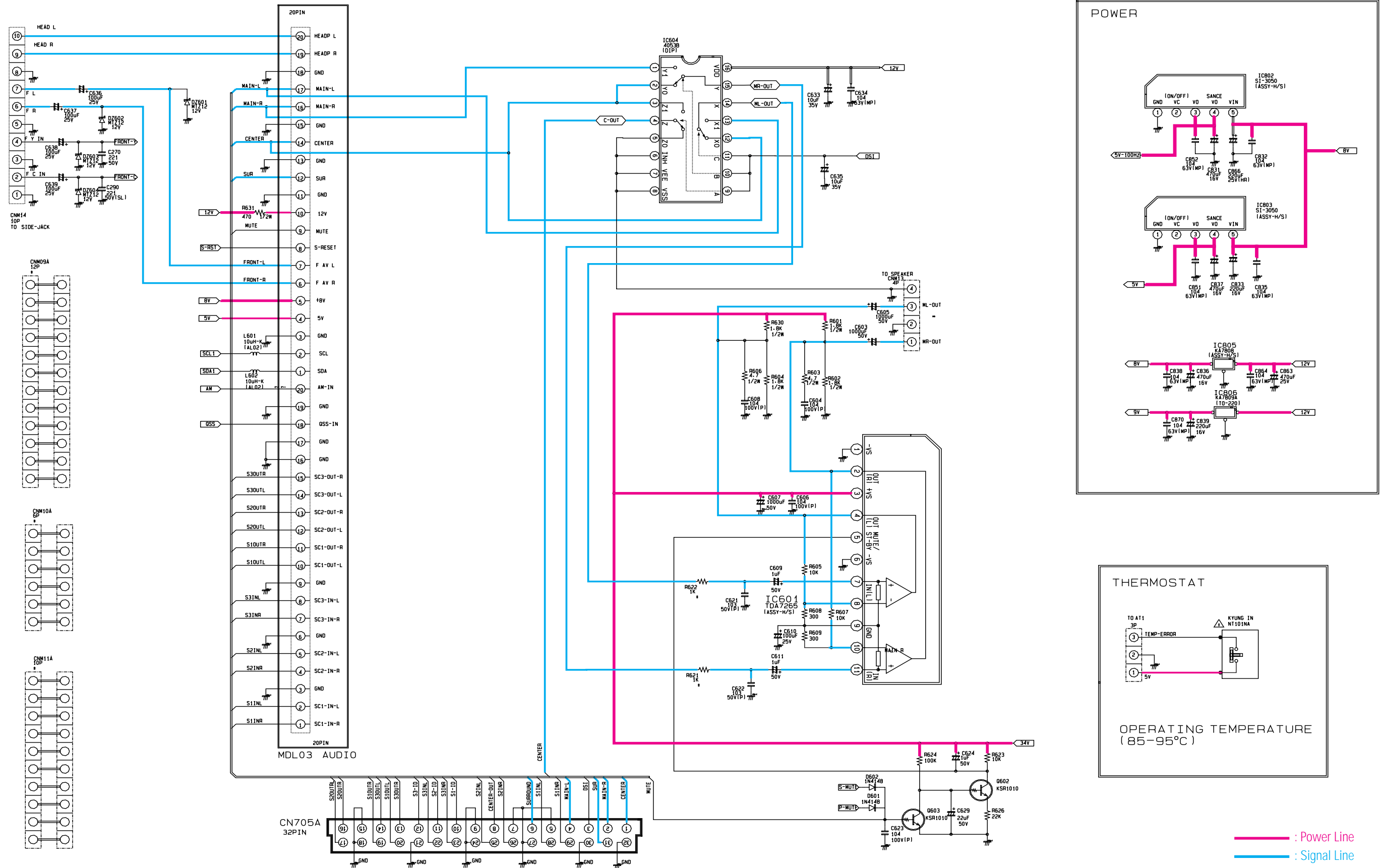


12. Schematic Diagrams

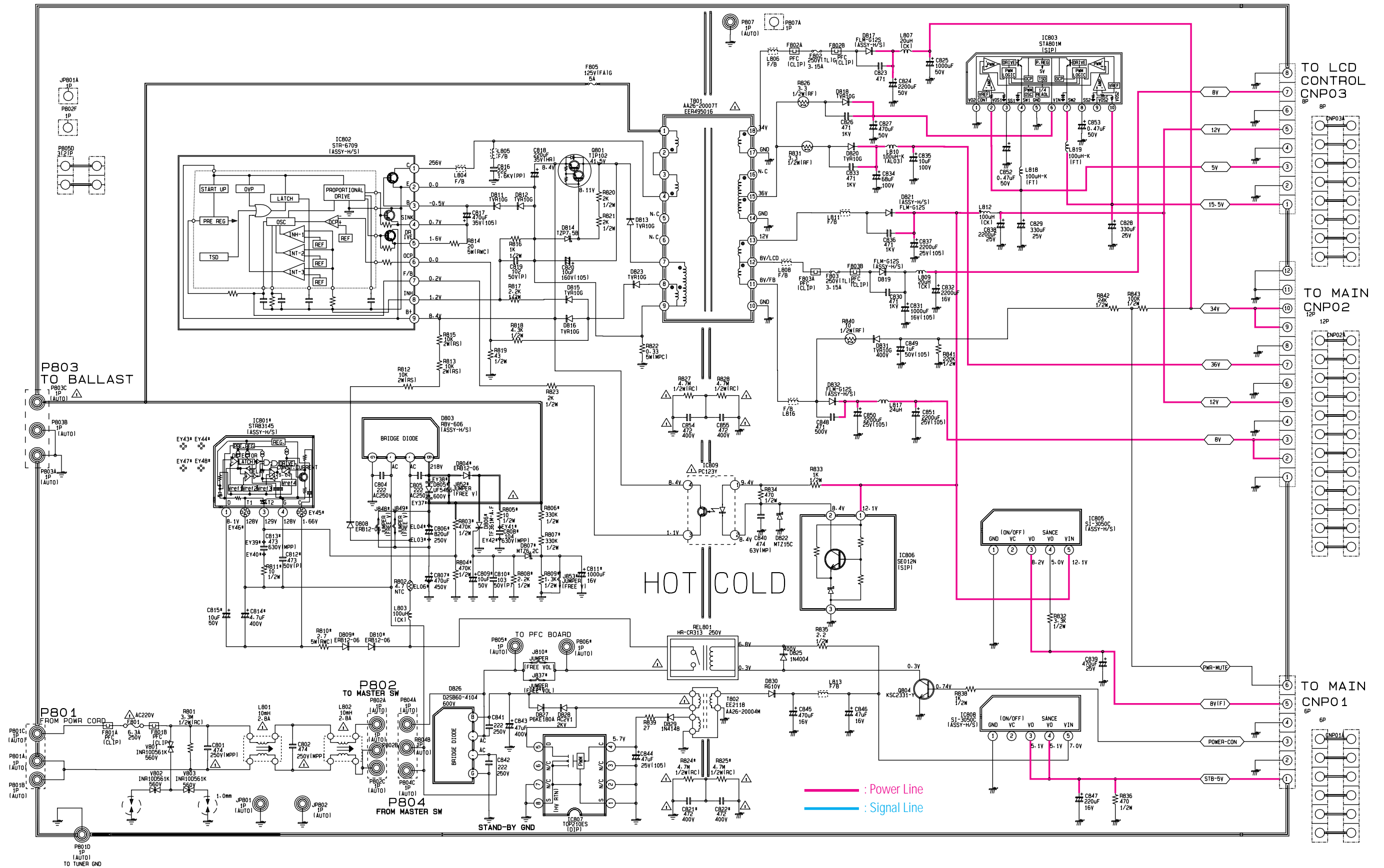
12-1 MAIN (1)



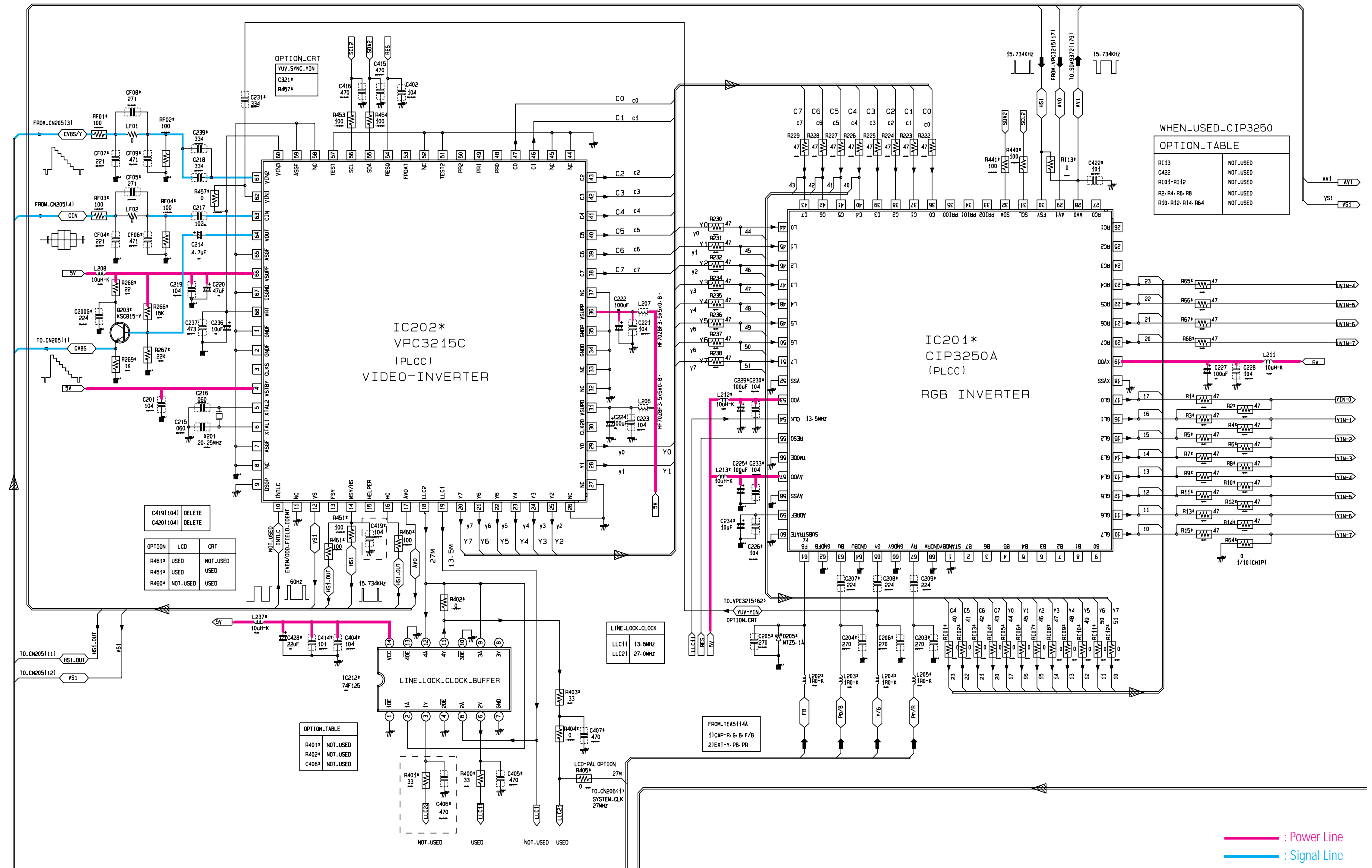
12-2 MAIN (2)



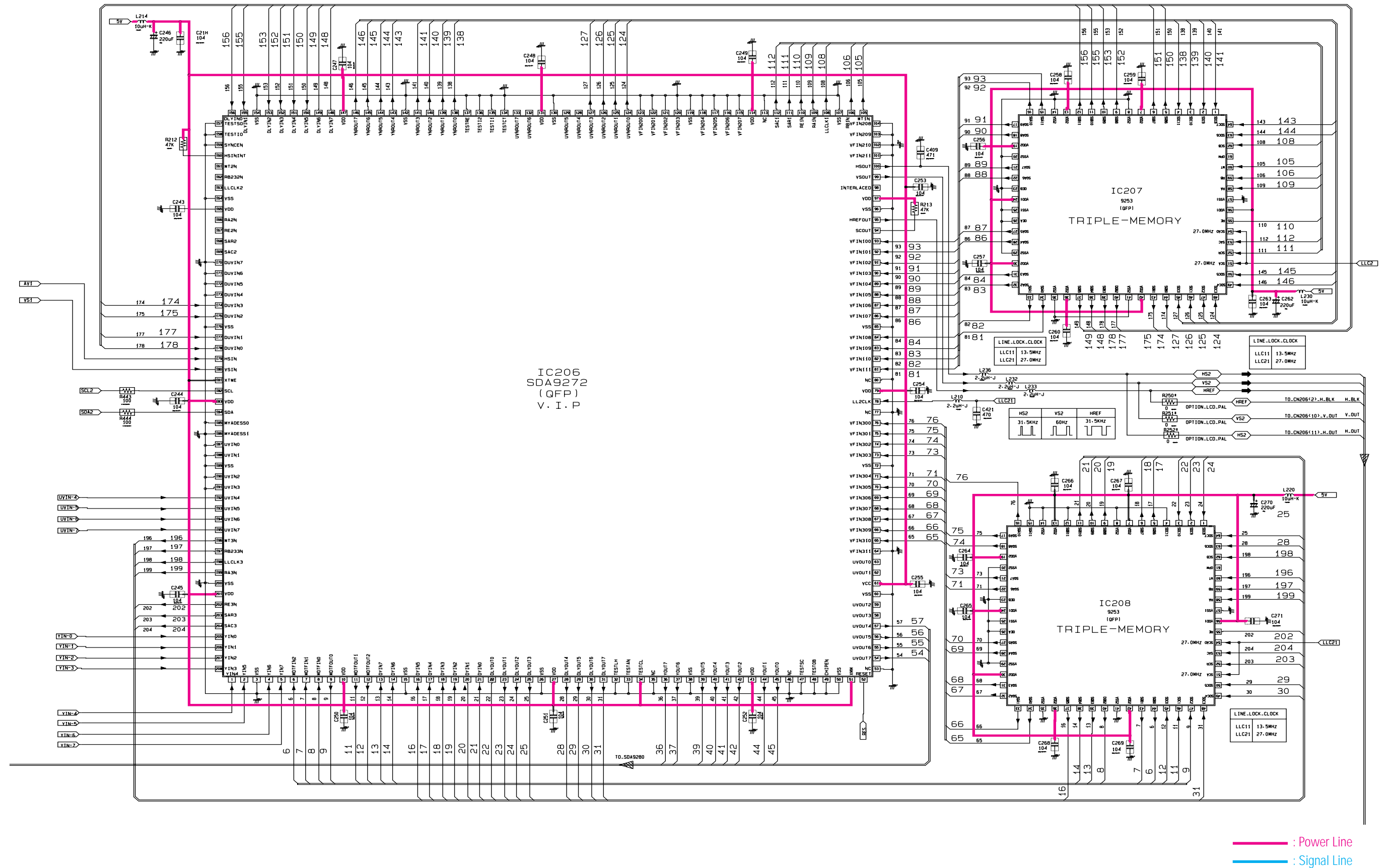
12-3 MAIN (POWER)



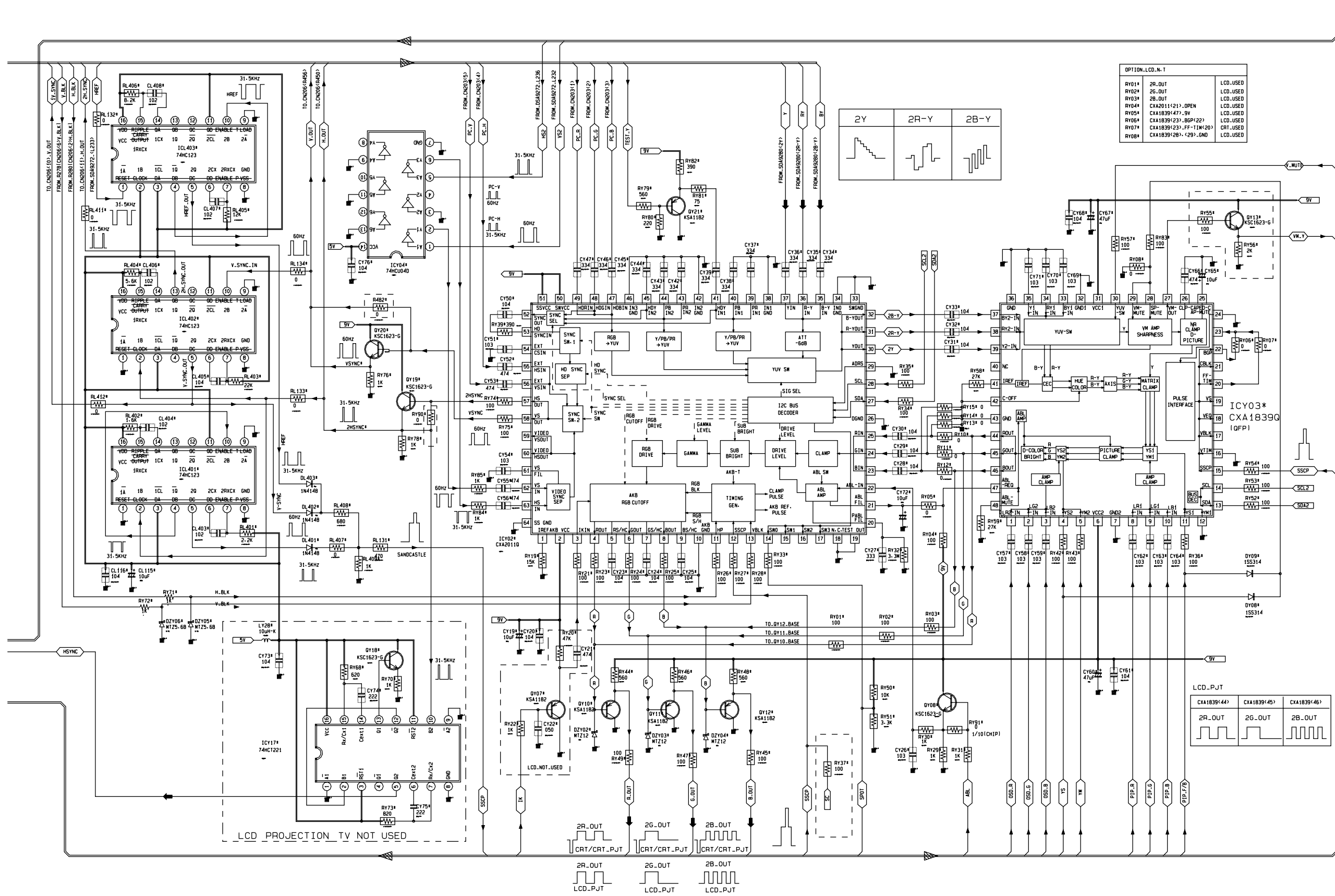
12-4 PROSCAN (1)



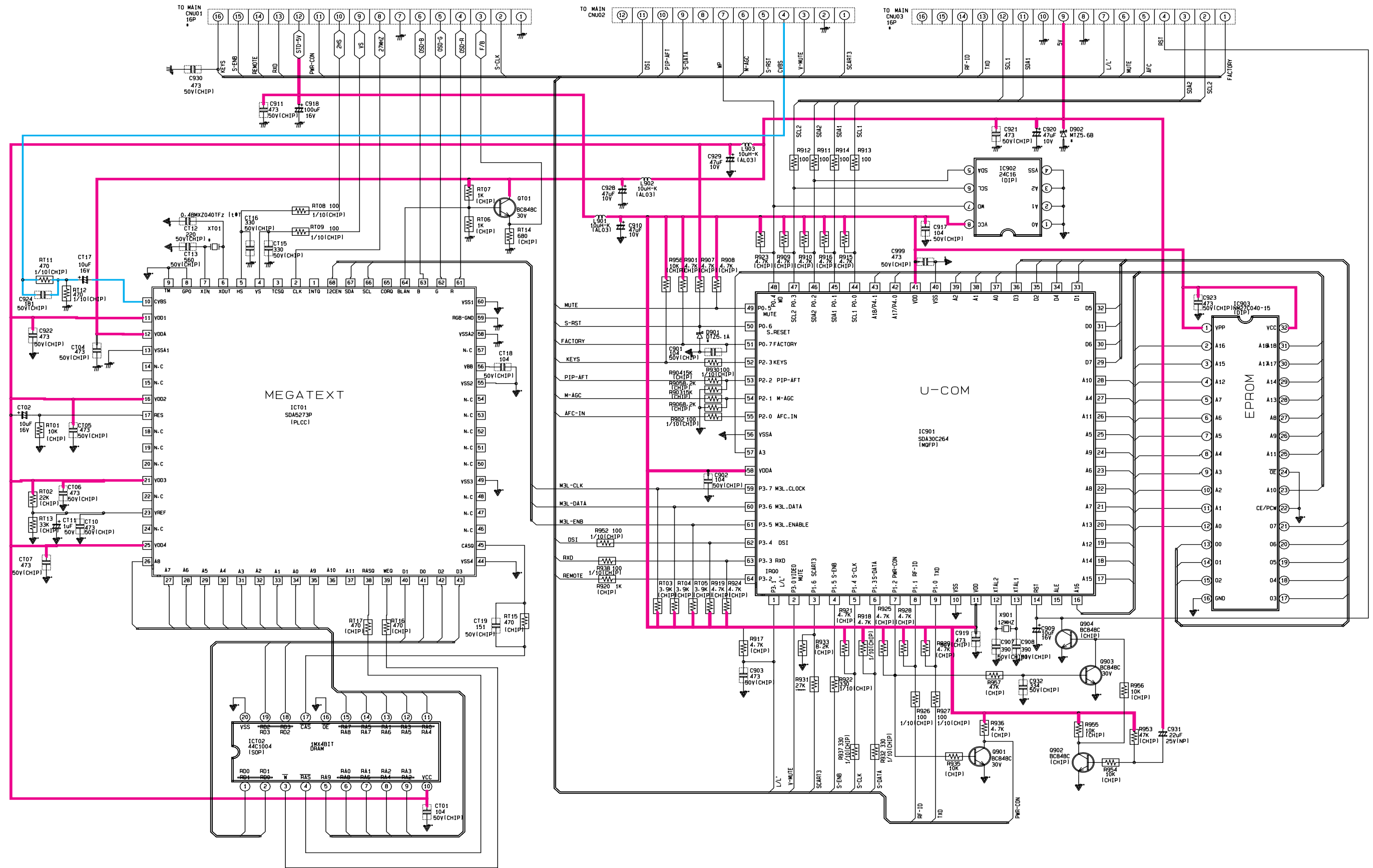
12-5 PROSCAN (2)



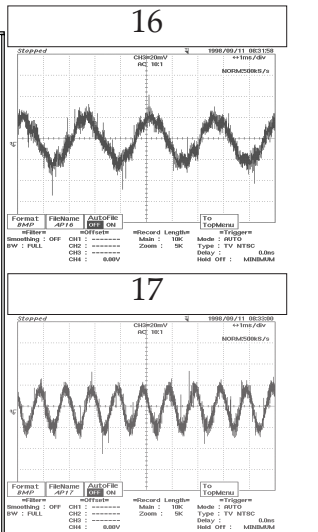
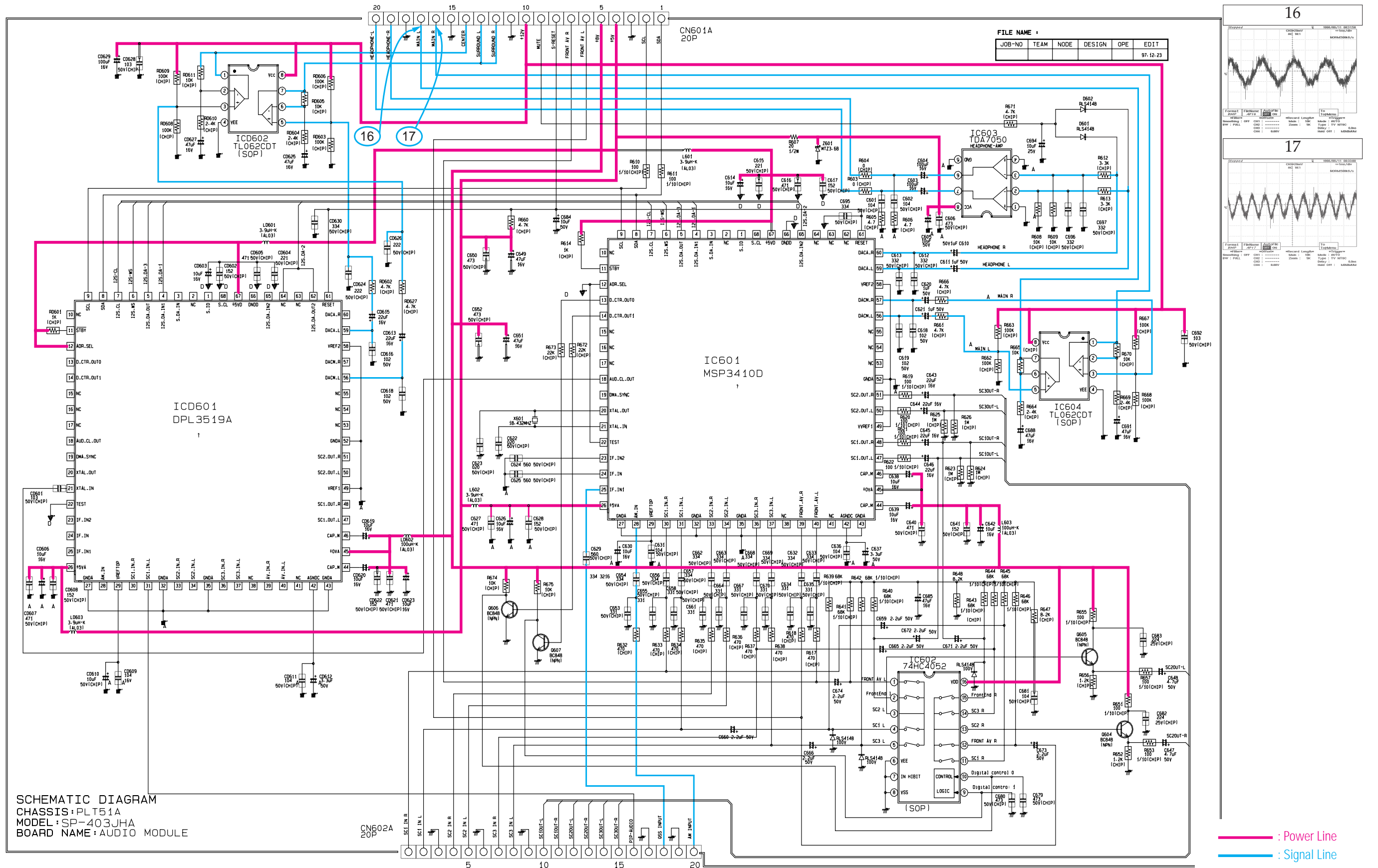
12-7 PROSCAN (4)



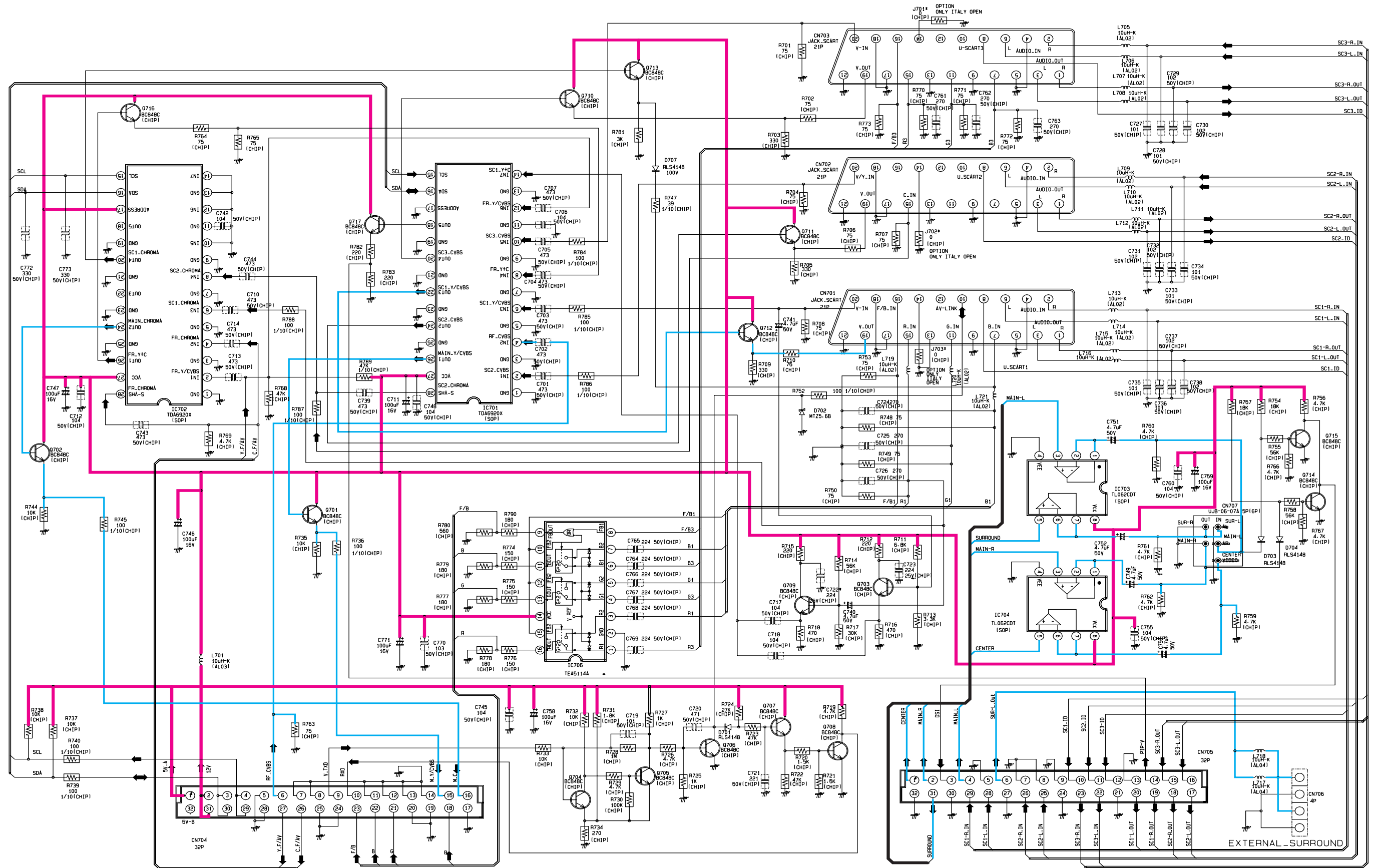
12-8 MAIN (u-COM)



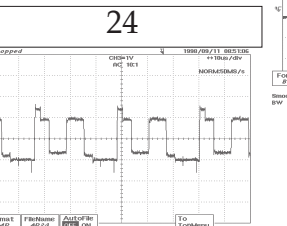
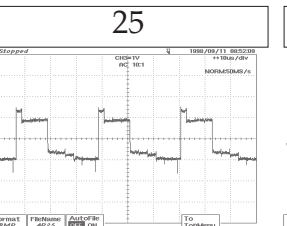
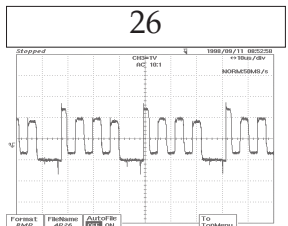
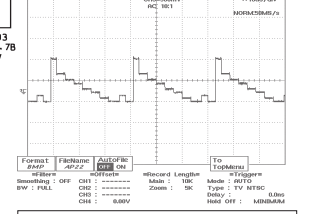
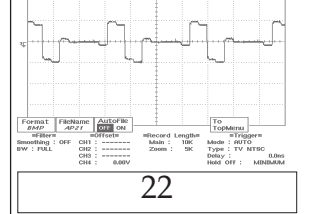
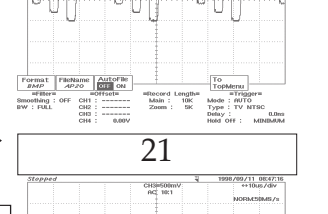
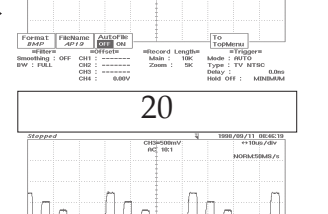
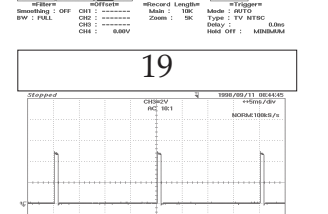
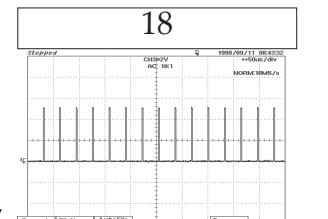
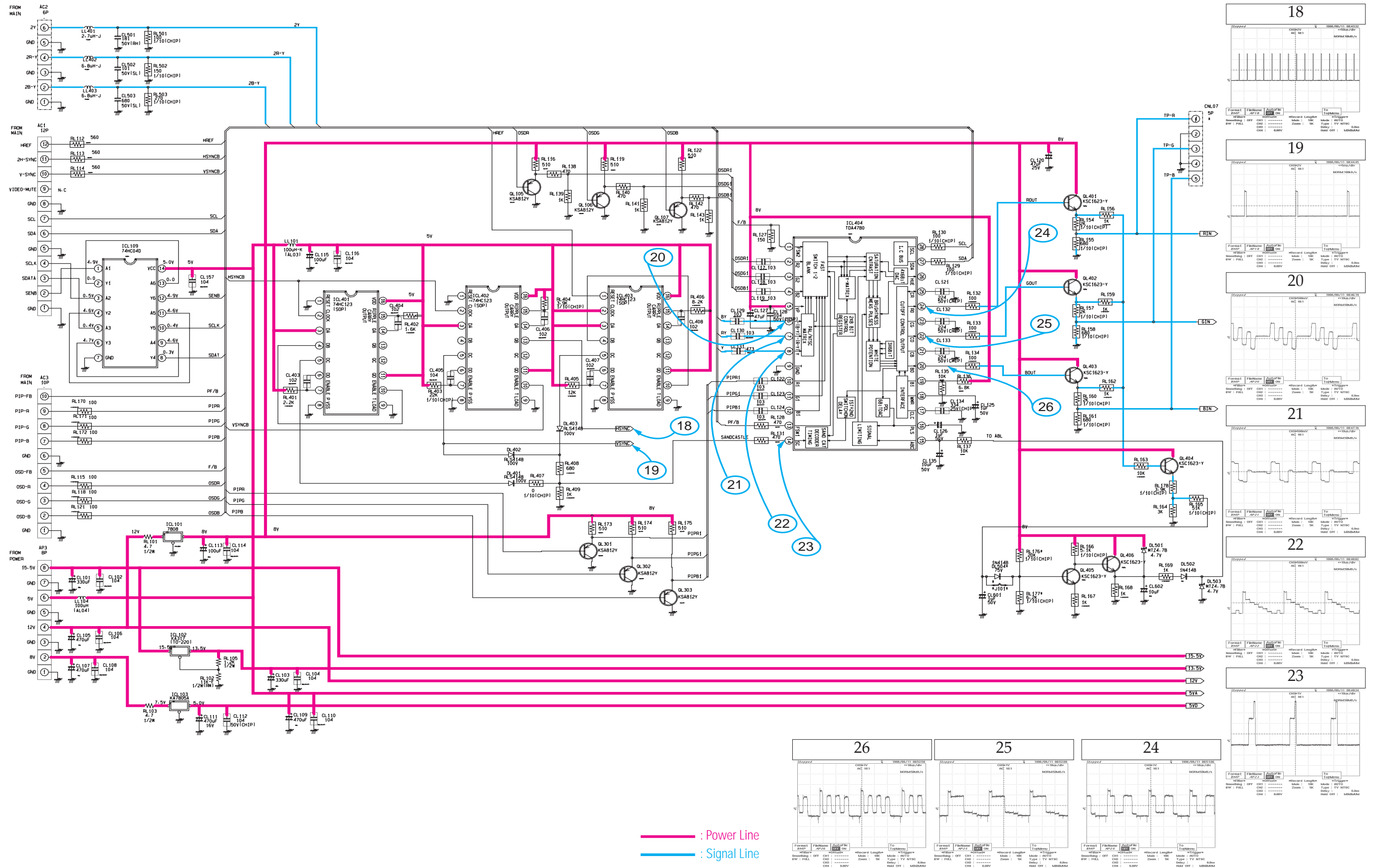
12-9 MAIN (AUDIO)



12-10 MAIN (A/V TERMINAL)

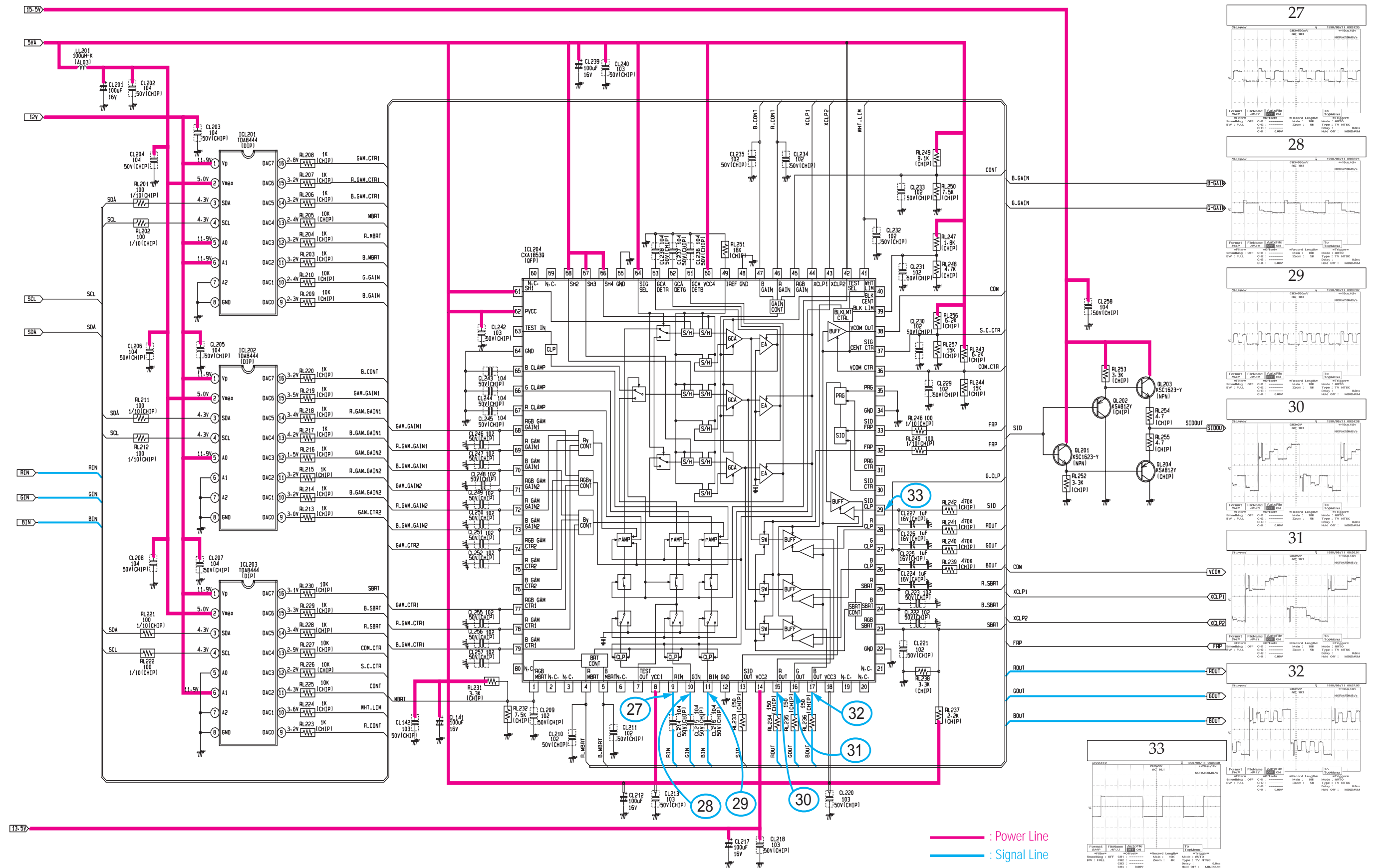


12-11 CONTROL LCD (1)

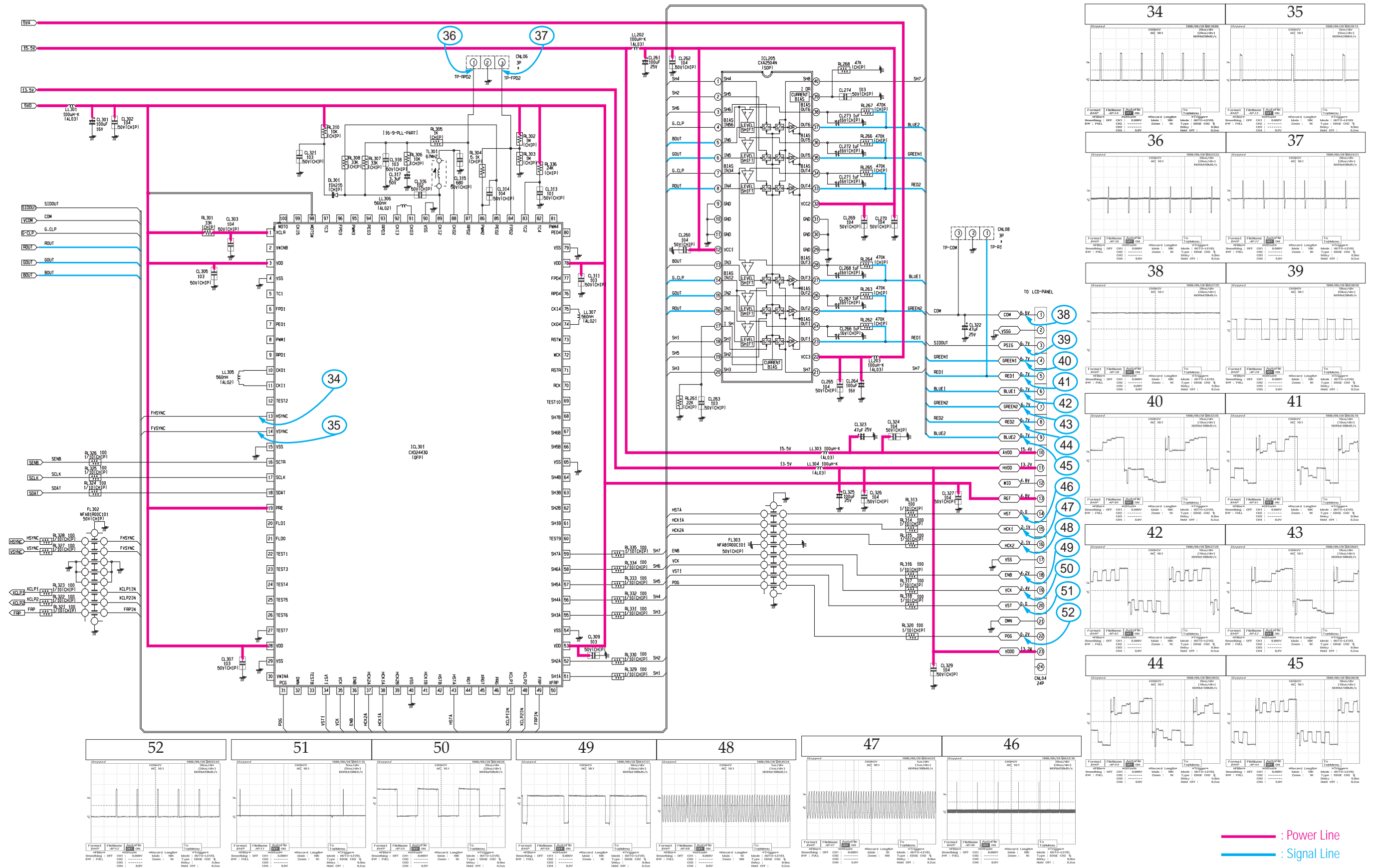


— : Power Line
 — : Signal Line

12-12 CONTROL LCD (2)



12-13 CONTROL LCD (3)



12-14 MAIN SUB (MASTER/REMOCON/PRE-AMP)

